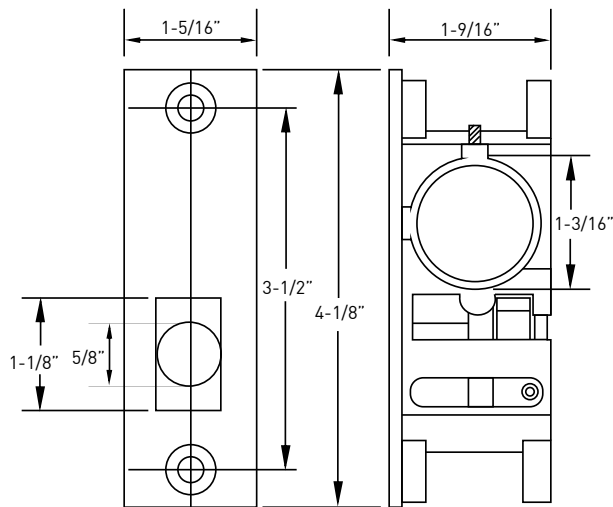


COMPONENT SPECIFICATION SHEET

Standard Rail Lock Body - LL03



Custom Split Pin for Sliding Doors Available

FEATURES

- 1-9/16" height
- Hardened steel pin in bolt
- Round or square bolts available
- Accepts standard mortise cylinder with Ryadon Cam
- Bolt throw 3/4"
- Square bolt and milled square bolt for sliders available