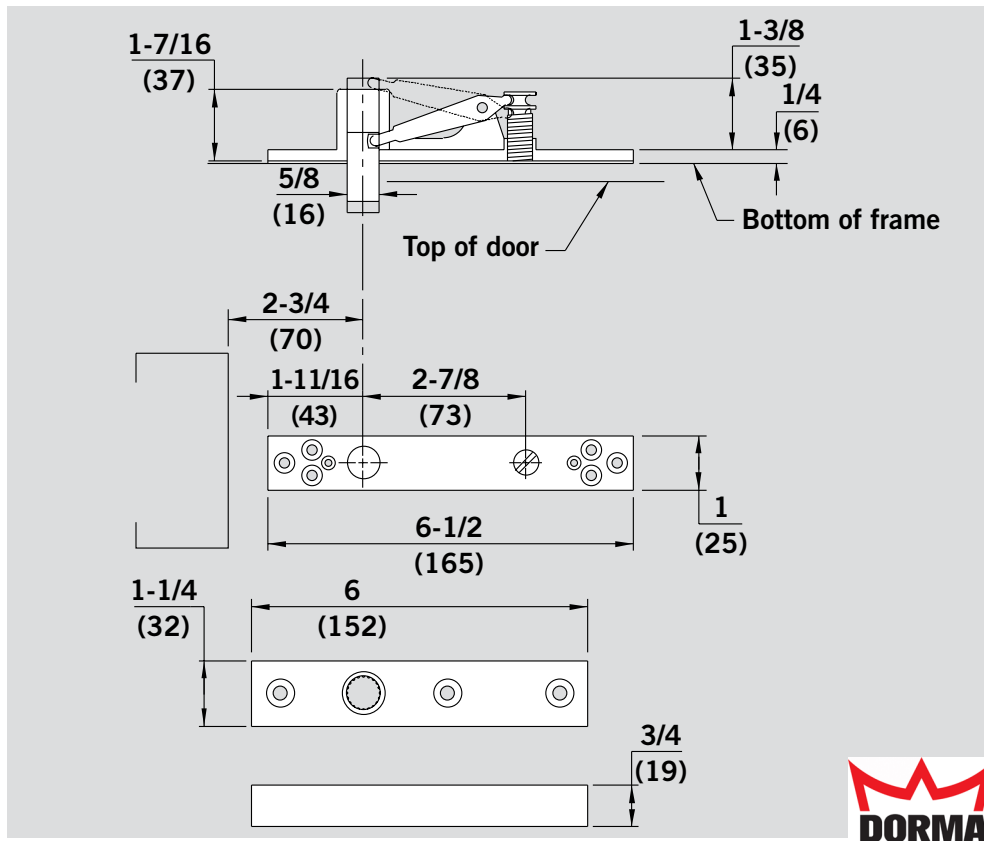


COMPONENT SPECIFICATION SHEET

DORMA HD Walking Beam Pivot - HD8062

CENTER HUNG



HD8062 — Heavy-duty walking beam top pivot with frame portion and cover plate. Door portion consists of a needle bearing pressed into a 3/4" thick aluminum block. Adjustable to obtain a 1/8"–3/8" clearance between the door and frame. Required when using overhead stops/holders.