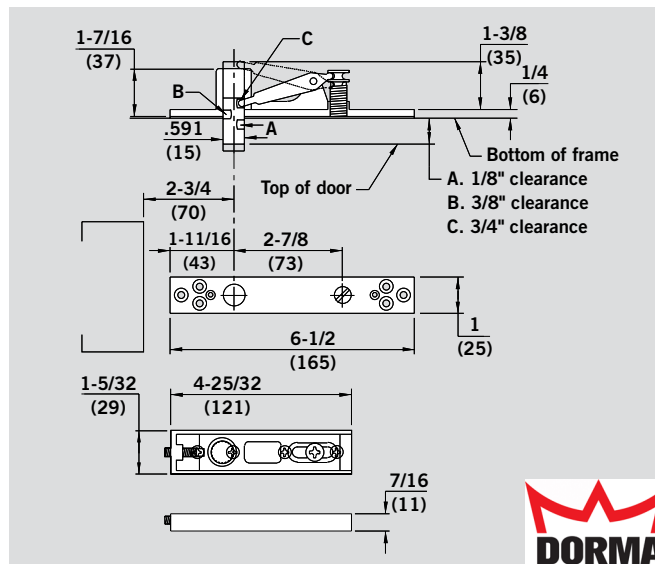
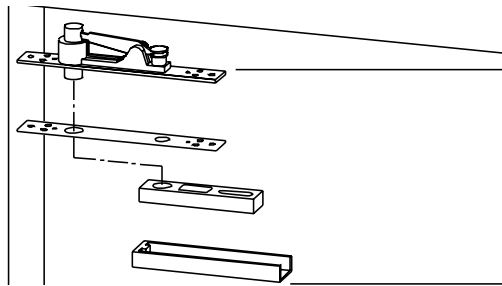


# COMPONENT SPECIFICATION SHEET

## DORMA Walking Beam Pivot - 8062



**No. 8062** — Walking beam top pivot with cover plate. Lateral adjustment assures the door is plumb. Accommodates top door clearances of  $1/8$ ",  $3/8$ ", or  $3/4$ ". Optional extended pin available for clearances of  $3/4$ ",  $1$ ", or  $1\text{-}5/16$ ". Not recommended for use with overhead stops/holders. Use HD8062.