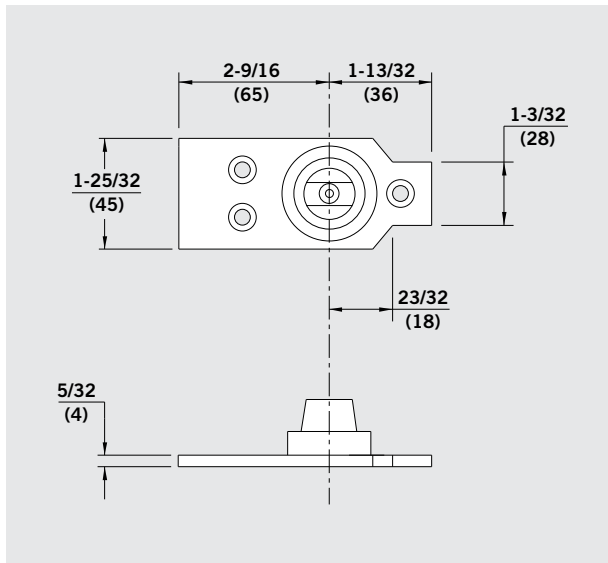


COMPONENT SPECIFICATION SHEET

DORMA Floor Bearing Pivot 7471K



No. 7471K — Standard floor bearing with thrust roller bearing for doors weighing up to 440 lb. Can also be used on fire doors rated up to 3 hours. Includes cover cap. Mounts directly to floor. For use with No. 75323, 75343, 7421, 7422 and 15323 bottom arms. Available with integral spindle extensions as shown in the adjacent chart.

Floor Bearing Spindle Height	Clearance Provided Under Door
7471K	3/4" *
7471K × 5 mm	15/16"
7471K × 10 mm	1-1/8"
7471K × 15 mm	1-5/16"
7471K × 20 mm	1-1/2"
7471K × 25 mm	1-11/16"
7471K × 30 mm	1-15/16"
7471K × 35 mm	2-1/8"
7471K × 40 mm	2-5/16"
7471K × 45 mm	2-1/2"
7471K × 50 mm	2-11/16"

* Lesser clearances can be obtained by altering the mortise depth of the arm.

