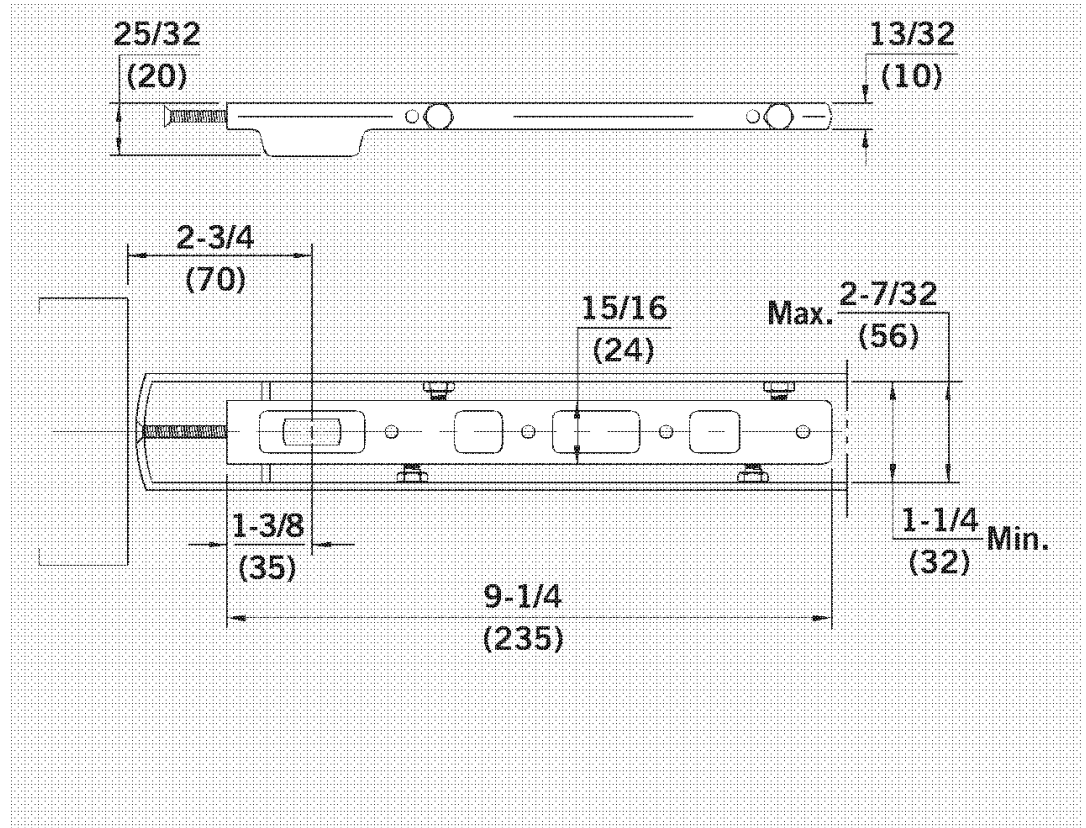




COMPONENT SPECIFICATION SHEET:
Dorma Bottom Pivot Arm-7422



No. 7422 — Center hung bottom arm for aluminum doors.
 For use with 7471K and 7471HD floor bearing.